



**BID 2023-01 BRYSON PARK/HOOD ROAD REALIGNMENT
AT LAWRENCEVILLE HIGHWAY (US 29/SR8)**

Addendum # 1

BRYSON PARK SIGNAGE DETAIL

Published: 6/8/23

GRAPHICS: MESSAGES SHALL BE PREMIUM CAST 2 MIL. VINYL CUT USING COMPUTER CONTROLLED DEVICE FOR ACCURATE REPRODUCTION OF TYPOGRAPHY AND GRAPHIC ELEMENTS.

PAINT: EXPOSED PAINTED SURFACES SHALL BE TWO-COMPONENT ACRYLIC POLYURETHANE ENAMEL. FINISH IS TO BE SEMI-GLOSS. UNLESS OTHERWISE NOTED, ALL "RULES" SIGNS TO HAVE BLACK LETTERING ON WHITE BACKGROUND. ALL OTHER SIGNS TO HAVE WHITE LETTERING ON TEAL BACKGROUND (TO MATCH DURON "MIGHTY MAIN #7586A").

SIGN PANEL: PRIME AND PAINT WITH MAP N-SERIES SATIN FINISH (OR APPROVED EQUAL) 2-PART ACRYLIC POLYURETHANE PAINT, SPRAY-APPLIED WITH A MINIMUM OF TWO COATS OF FINISH PAINT (DURON "MIGHTY MAIN" #7586A, SEMI-GLOSS FINISH USED AS MATCH SAMPLE). CATALYST COMPONENT TO BE A UV STABLE, ALIPHATIC ISOCYANATE. WHEN SURFACES ARE COMPLETELY PAINTED AND CURED, WIPE SURFACES FREE OF LINT AND DUST AND APPLY TWO SPRAY COATS OF #6178SP HIGH-GLOSS CLEAR COAT COMPATIBLE WITH COLOR COAT. CLEAR COATS ARE TO BE A SMOOTH, EVEN FINISH OVER FACE OF SIGN. ALL FILLERS, PRIMERS, FINISH COATS AND CLEAR COATS TO BE MAP SERIES AS MANUFACTURED BY MATTHEWS PAINTS (OR APPROVED EQUAL). ALL FILLERS, PRIMERS, FINISH COATS AND CLEAR COATS SHALL BE APPLIED TO SIGN COMPONENTS BEFORE GRAPHICS, ALLOWING ADEQUATE TIME FOR ALL FINISHES TO DRY ACCORDING TO MANUFACTURER'S INSTRUCTIONS. ALL ALUMINUM SHALL HAVE AN APPLICATION OF ZINC CHROMATE PRIMER/COATING.

VINYL GRAPHICS: PRESSURE-SENSITIVE ADHESIVE TYPE, CAST 2 MIL PREMIUM VINYL, PRE-SPACED, GLOSS FINISH, MANUFACTURED BY 3M CORPORATION, GERBER SCIENTIFIC PRODUCTS, ANACAST, INC., OR APPROVED EQUAL. ALL GRAPHICS SHALL BE CUT USING ROLL-FED OR FLAT BED COMPUTER GUIDED EQUIPMENT. APPLY TO CLEAN, DRY SURFACES ACCORDING TO MANUFACTURER'S INSTRUCTIONS. BURNISH FREE OF AIR BUBBLES OR OTHER SURFACE BLEMISHES.

**PARKS AND RECREATION
DESIGN STANDARDS
GWINNETT COUNTY, GEORGIA**

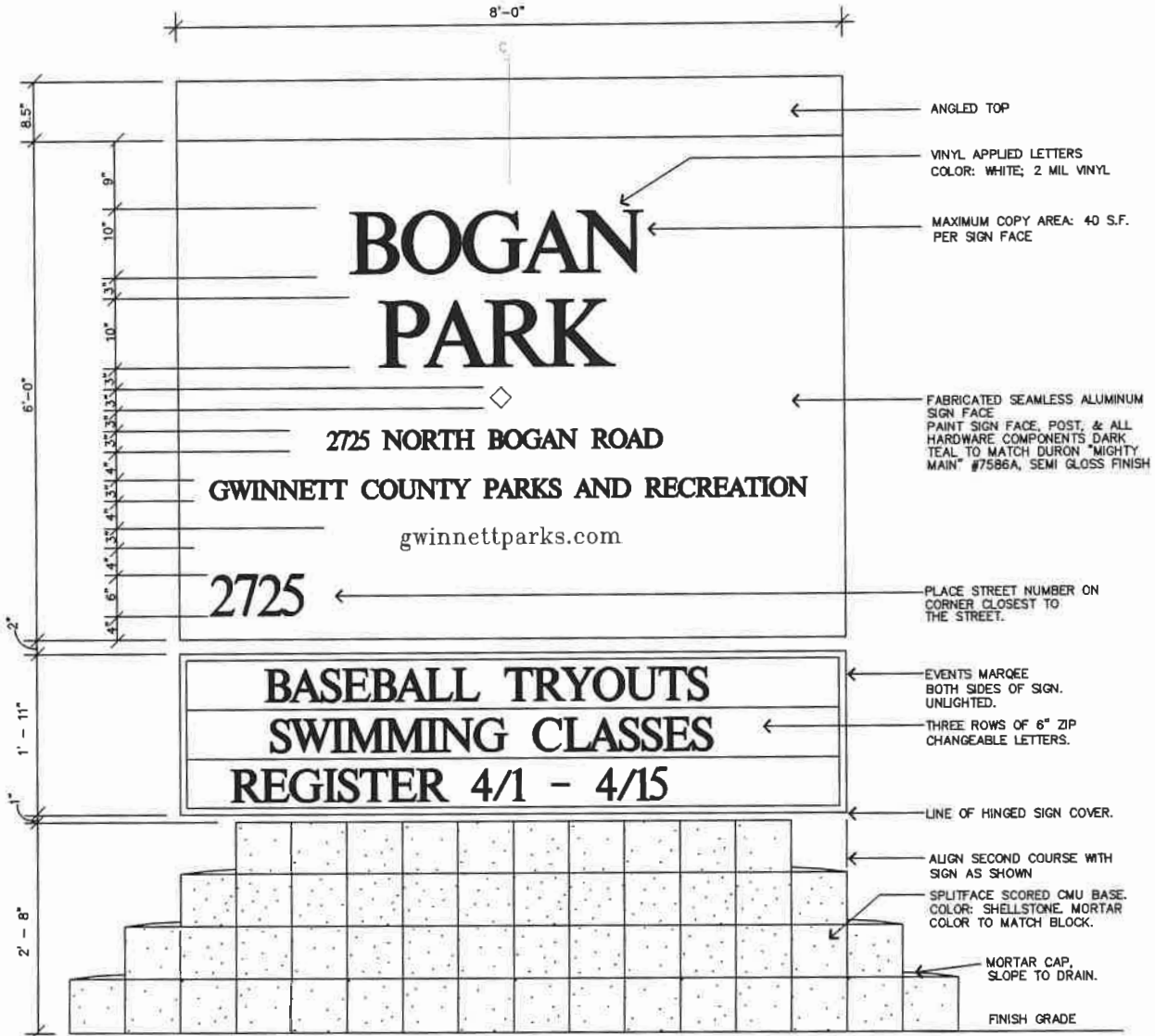
DATE	CATEGORY	DTL. NUMBER
10/5/10	site amenities	5.3b

SIGN PANEL FINISH NOTES

FILE NAME: panel.finish.notes SCALE: N.T.S.

NOTES:

1. SIGN PANEL TO BE PRIMED AND PAINTED WITH 2 COATS OF ACRYLIC POLYURETHANE PAINT AND 1 COAT OF SEMI-GLOSS CLEAR COAT. SEE "SIGN PANEL FINISH NOTES".
2. ALL HARDWARE TO BE STAINLESS STEEL.
3. MARQUEE SIGN HINGE TO BE A CONTINUOUS STAINLESS STEEL PIANO HINGE.
4. PROVIDE A METAL HASP SIZED FOR A PADLOCK BY BEST LOCK SYSTEMS.
5. CONCRETE BASE & FOOTING TO BE DESIGNED & STAMPED BY A STRUCTURAL ENGINEER. SUBMIT SHOP DRAWINGS PRIOR TO FABRICATION.
6. PROVIDE 1 SET OF 300 - 6" SOLID CONDENSED FONT, BLACK LETTERS & NUMBERS WITH PORTABLE STORAGE CABINET; WAGNER ZIP-CHANGE, OR APPROVED EQUAL.



PARKS AND RECREATION
DESIGN STANDARDS
GWINNETT COUNTY, GEORGIA

DATE	CATEGORY	DTL. NUMBER
11/30/10	Site Amenities	5.3c

PARK ENTRY SIGN

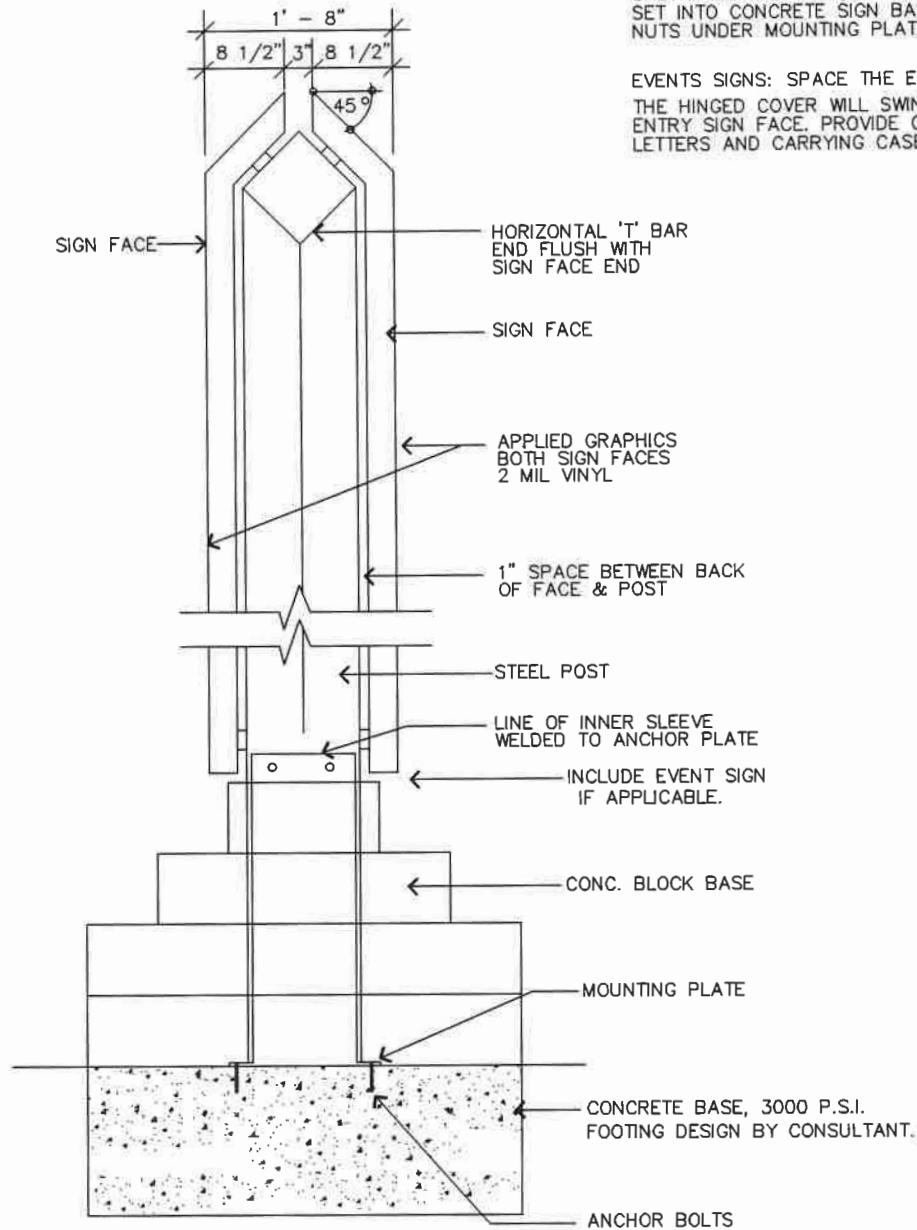
FILE NAME: park.ent.sign SCALE: N.T.S.

ENTRY SIGN NOTES

SIGN CABINET: FABRICATE OF FLAT ALUMINUM SHEET TO SHAPE SHOWN, SMOOTH AND PAINT. PAN FORM GRAPHICS PANELS FROM 1/8" WALL ALUMINUM AS SHOWN ON PLANS. FLUSH, BUTT JOINTS.

SIGN POST: 8" SQUARE STEEL POST WITHMIN. 1/4" WALL THICKNESS. ALL WELDS TO BE GROUND SMOOTH PRIOR TO FINISHING. SET POST TO HOT-DIPPED GALVANIZED OR STAINLESS STEEL ANCHOR BOLTS SET INTO CONCRETE SIGN BASE. PROVIDE LEVELING NUTS UNDER MOUNTING PLATE.

EVENTS SIGNS: SPACE THE EVENTS SIGN SO THAT THE HINGED COVER WILL SWING CLEAR OF THE MAIN ENTRY SIGN FACE. PROVIDE ONE SET OF 300 LETTERS AND CARRYING CASE FOR EACH EVENT SIGN.

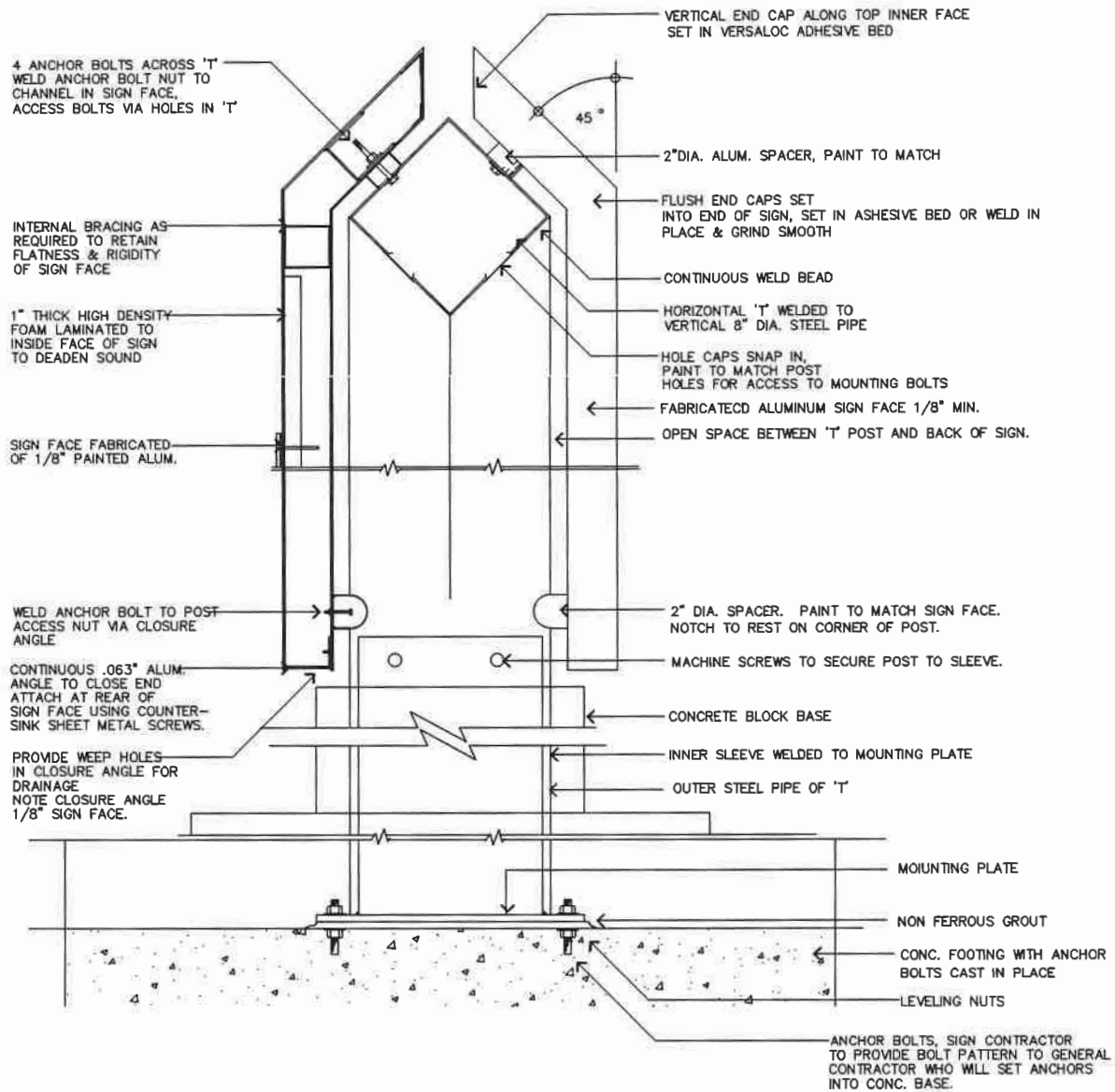


PARKS AND RECREATION
DESIGN STANDARDS
GWINNETT COUNTY, GEORGIA

DATE	CATEGORY	DTL. NUMBER
10/5/05	site amenities	5.3d

ENTRY SIGN SECTION & NOTES

FILE NAME: ent.sign.sect SCALE: N.T.S.



PARKS AND RECREATION
DESIGN STANDARDS
GWINNETT COUNTY, GEORGIA

DATE	CATEGORY	DTL. NUMBER
10/31/02	site amenities	5.3e

ENTRY SIGN DETAIL

FILE NAME: ent.sign.det SCALE: N.T.S.



ALEXANDER PARK

955 SCENIC HIGHWAY
GWINNETT COUNTY PARKS & RECREATION
GWINNETTPARKS.COM

955

SPRING INTO PARKS
GWINNETTPARKS.COM